

SODRON**Model**

PE23V□

Product features

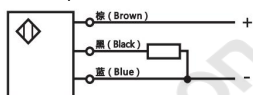
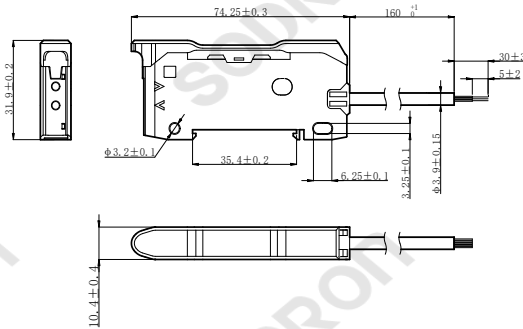
- Supports one-point teaching and two-point teaching modes
- Flexible application in multiple scenarios
- Can be paired with various fiber optic heads:
(Transmissive type, coaxial reflective type, reflective type)

Connection

NPN-NO/NC



PNP-NO/NC

**Dimensions****Technical parameters**

Model	PE23VN	PE23VP
Output method	NPN	PNP
Light source (Emission Wavelength)	Red 4-element LED (Wavelength 620nm)	
Power supply voltage	DC12~24V (±10%), Ripple (p-p) ≤10%	
Current consumption	Static Current Consumption: ≤25mA at 24V Dynamic Current Consumption: ≤30mA at 24V	
Load power supply voltage	DC12V~DC24V; Open Collector Output Type Maximum Load Current: 100mA	
Residual voltage	Load Current < 10mA: ≤1V; Load Current 10~100mA: ≤2V; Load Current at No Output: ≤0.1mA	
Protection circuit	Power Reverse Connection Protection, Output Short Circuit Protection, Output Reverse Connection Protection	
Maximum response time	500μs	
Sensitivity setting	Two-point Teaching, Maximum Sensitivity Teaching	
Side-by-Side installation	Maximum Anti-interference Quantity: 5 units	
Equipped Functions	Timer	10ms~1000ms
	Code setting	Yes
	Light emission adjustment	4-level Adjustment
	Gain adjustment	Automatic
	Operation mode adjustment	Light-on/Dark-on
Display status	Operation Indicator: Orange LED Function Display: OLED Screen	
Connection method	Lead Wire Type	
Number of control outputs	1 Output Channel	
Operating ambient illuminance	Light Receiving Surface Illuminance Incandescent Lamp: 20,000lx; Sunlight: 30,000lx	
Ambient temperature range	During Operation: 1~2 units connected: -25°C~+55°C 3~10 units connected: -25°C~+50°C 11~16 units connected: -25°C~+45°C	
	During Storage: -30°C~+70°C (No condensation or icing)	
Ambient humidity range	During Operation & Storage: 35~85%RH (No condensation or icing)	
Insulation resistance	≥20MΩ (Using DC500V Megohmmeter)	
Withstand voltage	AC1,000V 50/60Hz for 1 minute	
Vibration (Durability)	10~55Hz, Vertical Amplitude 1.5mm, 2 hours each in X, Y, Z directions	
Shock (Durability)	500m/s ² , 3 times each in X, Y, Z directions	
Material	Housing, Cover: Polycarbonate (PC), Wire Sheath: PVC	